

Internet Engineering Task Force (IETF)  
Request for Comments: 5663  
Category: Standards Track  
ISSN: 2070-1721

D. Black  
S. Fridella  
EMC Corporation  
J. Glasgow  
Google  
January 2010

## Parallel NFS (pNFS) Block/Volume Layout

### Abstract

Parallel NFS (pNFS) extends Network File Sharing version 4 (NFSv4) to allow clients to directly access file data on the storage used by the NFSv4 server. This ability to bypass the server for data access can increase both performance and parallelism, but requires additional client functionality for data access, some of which is dependent on the class of storage used. The main pNFS operations document specifies storage-class-independent extensions to NFS; this document specifies the additional extensions (primarily data structures) for use of pNFS with block- and volume-based storage.

### Status of This Memo

This is an Internet Standards Track document.

This document is a product of the Internet Engineering Task Force (IETF). It represents the consensus of the IETF community. It has received public review and has been approved for publication by the Internet Engineering Steering Group (IESG). Further information on Internet Standards is available in Section 2 of RFC 5741.

Information about the current status of this document, any errata, and how to provide feedback on it may be obtained at <http://www.rfc-editor.org/info/rfc5663>.

## Copyright Notice

Copyright (c) 2010 IETF Trust and the persons identified as the document authors. All rights reserved.

This document is subject to BCP 78 and the IETF Trust's Legal Provisions Relating to IETF Documents (<http://trustee.ietf.org/license-info>) in effect on the date of publication of this document. Please review these documents carefully, as they describe your rights and restrictions with respect to this document. Code Components extracted from this document must include Simplified BSD License text as described in Section 4.e of the Trust Legal Provisions and are provided without warranty as described in the Simplified BSD License.

## Table of Contents

1. Introduction .....	4
1.1. Conventions Used in This Document .....	4
1.2. General Definitions .....	5
1.3. Code Components Licensing Notice .....	5
1.4. XDR Description .....	5
2. Block Layout Description .....	7
2.1. Background and Architecture .....	7
2.2. GETDEVICELIST and GETDEVICEINFO .....	9
2.2.1. Volume Identification .....	9
2.2.2. Volume Topology .....	10
2.2.3. GETDEVICELIST and GETDEVICEINFO deviceid4 .....	12
2.3. Data Structures: Extents and Extent Lists .....	12
2.3.1. Layout Requests and Extent Lists .....	15
2.3.2. Layout Commits .....	16
2.3.3. Layout Returns .....	16
2.3.4. Client Copy-on-Write Processing .....	17
2.3.5. Extents are Permissions .....	18
2.3.6. End-of-file Processing .....	20
2.3.7. Layout Hints .....	20
2.3.8. Client Fencing .....	21
2.4. Crash Recovery Issues .....	23
2.5. Recalling Resources: CB_RECALL_ANY .....	23
2.6. Transient and Permanent Errors .....	24
3. Security Considerations .....	24
4. Conclusions .....	26
5. IANA Considerations .....	26
6. Acknowledgments .....	26
7. References .....	27
7.1. Normative References .....	27
7.2. Informative References .....	27

1. Introduction

Figure 1 shows the overall architecture of a Parallel NFS (pNFS) system:

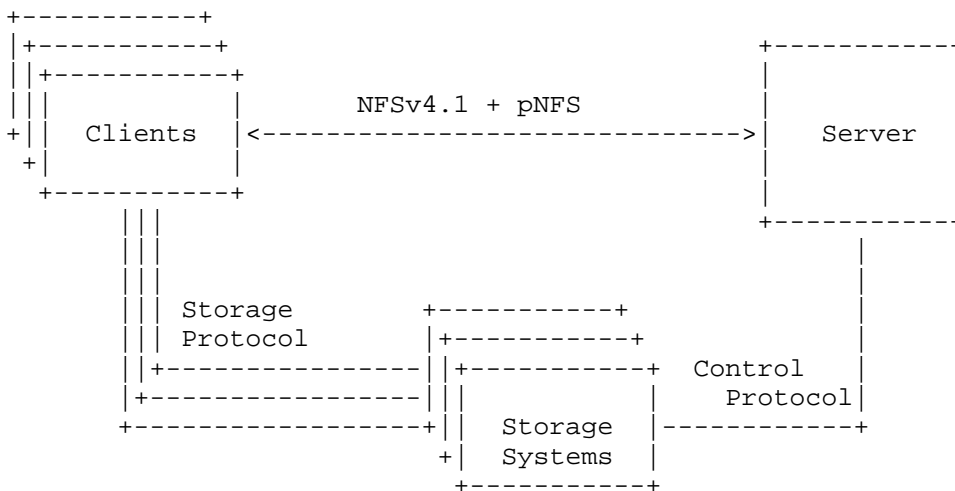


Figure 1: pNFS Architecture

The overall approach is that pNFS-enhanced clients obtain sufficient information from the server to enable them to access the underlying storage (on the storage systems) directly. See the pNFS portion of [NFSv4.1] for more details. This document is concerned with access from pNFS clients to storage systems over storage protocols based on blocks and volumes, such as the Small Computer System Interface (SCSI) protocol family (e.g., parallel SCSI, Fibre Channel Protocol (FCP) for Fibre Channel, Internet SCSI (iSCSI), Serial Attached SCSI (SAS), and Fibre Channel over Ethernet (FCoE)). This class of storage is referred to as block/volume storage. While the Server to Storage System protocol, called the "Control Protocol", is not of concern for interoperability here, it will typically also be a block/volume protocol when clients use block/ volume protocols.

1.1. Conventions Used in This Document

The key words "MUST", "MUST NOT", "REQUIRED", "SHALL", "SHALL NOT", "SHOULD", "SHOULD NOT", "RECOMMENDED", "MAY", and "OPTIONAL" in this document are to be interpreted as described in RFC 2119 [RFC2119].

## 1.2. General Definitions

The following definitions are provided for the purpose of providing an appropriate context for the reader.

### Byte

This document defines a byte as an octet, i.e., a datum exactly 8 bits in length.

### Client

The "client" is the entity that accesses the NFS server's resources. The client may be an application that contains the logic to access the NFS server directly. The client may also be the traditional operating system client that provides remote file system services for a set of applications.

### Server

The "server" is the entity responsible for coordinating client access to a set of file systems and is identified by a server owner.

## 1.3. Code Components Licensing Notice

The external data representation (XDR) description and scripts for extracting the XDR description are Code Components as described in Section 4 of "Legal Provisions Relating to IETF Documents" [LEGAL]. These Code Components are licensed according to the terms of Section 4 of "Legal Provisions Relating to IETF Documents".

## 1.4. XDR Description

This document contains the XDR ([XDR]) description of the NFSv4.1 block layout protocol. The XDR description is embedded in this document in a way that makes it simple for the reader to extract into a ready-to-compile form. The reader can feed this document into the following shell script to produce the machine readable XDR description of the NFSv4.1 block layout:

```
#!/bin/sh
grep '^ *////' $* | sed 's?^ *//// ??' | sed 's?^ *////$??'
```

That is, if the above script is stored in a file called "extract.sh", and this document is in a file called "spec.txt", then the reader can do:

```
sh extract.sh < spec.txt > nfs4_block_layout_spec.x
```

The effect of the script is to remove both leading white space and a sentinel sequence of "///" from each matching line.

The embedded XDR file header follows, with subsequent pieces embedded throughout the document:

```
/// /*
/// * This code was derived from RFC 5663.
/// * Please reproduce this note if possible.
/// */
/// /*
/// * Copyright (c) 2010 IETF Trust and the persons identified
/// * as the document authors. All rights reserved.
/// *
/// * Redistribution and use in source and binary forms, with
/// * or without modification, are permitted provided that the
/// * following conditions are met:
/// *
/// * - Redistributions of source code must retain the above
/// * copyright notice, this list of conditions and the
/// * following disclaimer.
/// *
/// * - Redistributions in binary form must reproduce the above
/// * copyright notice, this list of conditions and the
/// * following disclaimer in the documentation and/or other
/// * materials provided with the distribution.
/// *
/// * - Neither the name of Internet Society, IETF or IETF
/// * Trust, nor the names of specific contributors, may be
/// * used to endorse or promote products derived from this
/// * software without specific prior written permission.
/// *
/// * THIS SOFTWARE IS PROVIDED BY THE COPYRIGHT HOLDERS
/// * AND CONTRIBUTORS "AS IS" AND ANY EXPRESS OR IMPLIED
/// * WARRANTIES, INCLUDING, BUT NOT LIMITED TO, THE
/// * IMPLIED WARRANTIES OF MERCHANTABILITY AND FITNESS
/// * FOR A PARTICULAR PURPOSE ARE DISCLAIMED. IN NO
/// * EVENT SHALL THE COPYRIGHT OWNER OR CONTRIBUTORS BE
/// * LIABLE FOR ANY DIRECT, INDIRECT, INCIDENTAL, SPECIAL,
/// * EXEMPLARY, OR CONSEQUENTIAL DAMAGES (INCLUDING, BUT
/// * NOT LIMITED TO, PROCUREMENT OF SUBSTITUTE GOODS OR
/// * SERVICES; LOSS OF USE, DATA, OR PROFITS; OR BUSINESS
```

```
/// *   INTERRUPTION) HOWEVER CAUSED AND ON ANY THEORY OF
/// *   LIABILITY, WHETHER IN CONTRACT, STRICT LIABILITY,
/// *   OR TORT (INCLUDING NEGLIGENCE OR OTHERWISE) ARISING
/// *   IN ANY WAY OUT OF THE USE OF THIS SOFTWARE, EVEN IF
/// *   ADVISED OF THE POSSIBILITY OF SUCH DAMAGE.
/// */
///
/// /*
/// *       nfs4_block_layout_prot.x
/// */
///
/// %include "nfsv41.h"
///
```

The XDR code contained in this document depends on types from the `nfsv41.x` file. This includes both `nfs` types that end with a 4, such as `offset4`, `length4`, etc., as well as more generic types such as `uint32_t` and `uint64_t`.

## 2. Block Layout Description

### 2.1. Background and Architecture

The fundamental storage abstraction supported by block/volume storage is a storage volume consisting of a sequential series of fixed-size blocks. This can be thought of as a logical disk; it may be realized by the storage system as a physical disk, a portion of a physical disk, or something more complex (e.g., concatenation, striping, RAID, and combinations thereof) involving multiple physical disks or portions thereof.

A pNFS layout for this block/volume class of storage is responsible for mapping from an NFS file (or portion of a file) to the blocks of storage volumes that contain the file. The blocks are expressed as extents with 64-bit offsets and lengths using the existing NFSv4 `offset4` and `length4` types. Clients must be able to perform I/O to the block extents without affecting additional areas of storage (especially important for writes); therefore, extents MUST be aligned to 512-byte boundaries, and writable extents MUST be aligned to the block size used by the NFSv4 server in managing the actual file system (4 kilobytes and 8 kilobytes are common block sizes). This block size is available as the NFSv4.1 `layout_blksize` attribute. [NFSv4.1]. Readable extents SHOULD be aligned to the block size used by the NFSv4 server, but in order to support legacy file systems with fragments, alignment to 512-byte boundaries is acceptable.

The pNFS operation for requesting a layout (LAYOUTGET) includes the "layoutiomode4 loga\_iomode" argument, which indicates whether the requested layout is for read-only use or read-write use. A read-only layout may contain holes that are read as zero, whereas a read-write layout will contain allocated, but un-initialized storage in those holes (read as zero, can be written by client). This document also supports client participation in copy-on-write (e.g., for file systems with snapshots) by providing both read-only and un-initialized storage for the same range in a layout. Reads are initially performed on the read-only storage, with writes going to the un-initialized storage. After the first write that initializes the un-initialized storage, all reads are performed to that now-initialized writable storage, and the corresponding read-only storage is no longer used.

The block/volume layout solution expands the security responsibilities of the pNFS clients, and there are a number of environments where the mandatory to implement security properties for NFS cannot be satisfied. The additional security responsibilities of the client follow, and a full discussion is present in Section 3, "Security Considerations".

- o Typically, storage area network (SAN) disk arrays and SAN protocols provide access control mechanisms (e.g., Logical Unit Number (LUN) mapping and/or masking), which operate at the granularity of individual hosts, not individual blocks. For this reason, block-based protection must be provided by the client software.
- o Similarly, SAN disk arrays and SAN protocols typically are not able to validate NFS locks that apply to file regions. For instance, if a file is covered by a mandatory read-only lock, the server can ensure that only readable layouts for the file are granted to pNFS clients. However, it is up to each pNFS client to ensure that the readable layout is used only to service read requests, and not to allow writes to the existing parts of the file.

Since block/volume storage systems are generally not capable of enforcing such file-based security, in environments where pNFS clients cannot be trusted to enforce such policies, pNFS block/volume storage layouts SHOULD NOT be used.



## 2.2. GETDEVICELIST and GETDEVICEINFO

### 2.2.1. Volume Identification

Storage systems such as storage arrays can have multiple physical network ports that need not be connected to a common network, resulting in a pNFS client having simultaneous multipath access to the same storage volumes via different ports on different networks.

The networks may not even be the same technology -- for example, access to the same volume via both iSCSI and Fibre Channel is possible, hence network addresses are difficult to use for volume identification. For this reason, this pNFS block layout identifies storage volumes by content, for example providing the means to match (unique portions of) labels used by volume managers. Volume identification is performed by matching one or more opaque byte sequences to specific parts of the stored data. Any block pNFS system using this layout MUST support a means of content-based unique volume identification that can be employed via the data structure given here.

```

/// struct pnfs_block_sig_component4 { /* disk signature component */
///     int64_t bsc_sig_offset;        /* byte offset of component
///                                     on volume*/
///     opaque bsc_contents<>;        /* contents of this component
///                                     of the signature */
/// };
///

```

Note that the opaque "bsc\_contents" field in the "pnfs\_block\_sig\_component4" structure MUST NOT be interpreted as a zero-terminated string, as it may contain embedded zero-valued bytes. There are no restrictions on alignment (e.g., neither bsc\_sig\_offset nor the length are required to be multiples of 4). The bsc\_sig\_offset is a signed quantity, which, when positive, represents an byte offset from the start of the volume, and when negative represents an byte offset from the end of the volume.

Negative offsets are permitted in order to simplify the client implementation on systems where the device label is found at a fixed offset from the end of the volume. If the server uses negative offsets to describe the signature, then the client and server MUST NOT see different volume sizes. Negative offsets SHOULD NOT be used in systems that dynamically resize volumes unless care is taken to ensure that the device label is always present at the offset from the end of the volume as seen by the clients.

A signature is an array of up to "PNFS\_BLOCK\_MAX\_SIG\_COMP" (defined below) signature components. The client MUST NOT assume that all signature components are co-located within a single sector on a block device.

The pNFS client block layout driver uses this volume identification to map `pnfs_block_volume_type4` `PNFS_BLOCK_VOLUME_SIMPLE` `deviceid4s` to its local view of a LUN.

### 2.2.2. Volume Topology

The pNFS block server volume topology is expressed as an arbitrary combination of base volume types enumerated in the following data structures. The individual components of the topology are contained in an array and components may refer to other components by using array indices.

```

/// enum pnfs_block_volume_type4 {
///     PNFS_BLOCK_VOLUME_SIMPLE = 0, /* volume maps to a single
///                                     LU */
///     PNFS_BLOCK_VOLUME_SLICE   = 1, /* volume is a slice of
///                                     another volume */
///     PNFS_BLOCK_VOLUME_CONCAT  = 2, /* volume is a
///                                     concatenation of
///                                     multiple volumes */
///     PNFS_BLOCK_VOLUME_STRIPE  = 3  /* volume is striped across
///                                     multiple volumes */
/// };
///
/// const PNFS_BLOCK_MAX_SIG_COMP = 16; /* maximum components per
///                                       signature */
/// struct pnfs_block_simple_volume_info4 {
///     pnfs_block_sig_component4 bsv_ds<PNFS_BLOCK_MAX_SIG_COMP>;
///                                     /* disk signature */
/// };
///
/// struct pnfs_block_slice_volume_info4 {
///     offset4 bsv_start; /* offset of the start of the
///                         slice in bytes */
///     length4 bsv_length; /* length of slice in bytes */
///     uint32_t bsv_volume; /* array index of sliced
///                          volume */
/// };
///
/// struct pnfs_block_concat_volume_info4 {
///     uint32_t bcv_volumes<>; /* array indices of volumes
///                              which are concatenated */

```

```

/// };
///
/// struct pnfs_block_stripe_volume_info4 {
///     length4 bsv_stripe_unit;      /* size of stripe in bytes */
///     uint32_t bsv_volumes<>;      /* array indices of volumes
///                                     which are striped across --
///                                     MUST be same size */
/// };
///
/// union pnfs_block_volume4 switch (pnfs_block_volume_type4 type) {
///     case PNFS_BLOCK_VOLUME_SIMPLE:
///         pnfs_block_simple_volume_info4 bv_simple_info;
///     case PNFS_BLOCK_VOLUME_SLICE:
///         pnfs_block_slice_volume_info4 bv_slice_info;
///     case PNFS_BLOCK_VOLUME_CONCAT:
///         pnfs_block_concat_volume_info4 bv_concat_info;
///     case PNFS_BLOCK_VOLUME_STRIPE:
///         pnfs_block_stripe_volume_info4 bv_stripe_info;
/// };
///
/// /* block layout specific type for da_addr_body */
/// struct pnfs_block_deviceaddr4 {
///     pnfs_block_volume4 bda_volumes<>; /* array of volumes */
/// };
///

```

The "pnfs\_block\_deviceaddr4" data structure is a structure that allows arbitrarily complex nested volume structures to be encoded. The types of aggregations that are allowed are stripes, concatenations, and slices. Note that the volume topology expressed in the pnfs\_block\_deviceaddr4 data structure will always resolve to a set of pnfs\_block\_volume\_type4 PNFS\_BLOCK\_VOLUME\_SIMPLE. The array of volumes is ordered such that the root of the volume hierarchy is the last element of the array. Concat, slice, and stripe volumes MUST refer to volumes defined by lower indexed elements of the array.

The "pnfs\_block\_device\_addr4" data structure is returned by the server as the storage-protocol-specific opaque field da\_addr\_body in the "device\_addr4" structure by a successful GETDEVICEINFO operation [NFSv4.1].

As noted above, all device\_addr4 structures eventually resolve to a set of volumes of type PNFS\_BLOCK\_VOLUME\_SIMPLE. These volumes are each uniquely identified by a set of signature components. Complicated volume hierarchies may be composed of dozens of volumes each with several signature components; thus, the device address may require several kilobytes. The client SHOULD be prepared to allocate a large buffer to contain the result. In the case of the server

returning NFS4ERR\_TOOSMALL, the client SHOULD allocate a buffer of at least `gdir_mincount_bytes` to contain the expected result and retry the GETDEVICEINFO request.

### 2.2.3. GETDEVICELIST and GETDEVICEINFO deviceid4

The server in response to a GETDEVICELIST request typically will return a single "deviceid4" in the `gdlr_deviceid_list` array. This is because the deviceid4 when passed to GETDEVICEINFO will return a "device\_addr4", which encodes the entire volume hierarchy. In the case of copy-on-write file systems, the "gdlr\_deviceid\_list" array may contain two deviceid4's, one referencing the read-only volume hierarchy, and one referencing the writable volume hierarchy. There is no required ordering of the readable and writable IDs in the array as the volumes are uniquely identified by their deviceid4, and are referred to by layouts using the deviceid4. Another example of the server returning multiple device items occurs when the file handle represents the root of a namespace spanning multiple physical file systems on the server, each with a different volume hierarchy. In this example, a server implementation may return either a list of device IDs used by each of the physical file systems, or it may return an empty list.

Each deviceid4 returned by a successful GETDEVICELIST operation is a shorthand id used to reference the whole volume topology. These device IDs, as well as device IDs returned in extents of a LAYOUTGET operation, can be used as input to the GETDEVICEINFO operation. Decoding the "pnfs\_block\_deviceaddr4" results in a flat ordering of data blocks mapped to PNFS\_BLOCK\_VOLUME\_SIMPLE volumes. Combined with the mapping to a client LUN described in Section 2.2.1 "Volume Identification", a logical volume offset can be mapped to a block on a pNFS client LUN [NFSv4.1].

### 2.3. Data Structures: Extents and Extent Lists

A pNFS block layout is a list of extents within a flat array of data blocks in a logical volume. The details of the volume topology can be determined by using the GETDEVICEINFO operation (see discussion of volume identification, Section 2.2 above). The block layout describes the individual block extents on the volume that make up the file. The offsets and length contained in an extent are specified in units of bytes.

```

/// enum pnfs_block_extent_state4 {
///     PNFS_BLOCK_READ_WRITE_DATA = 0, /* the data located by this
///                                     extent is valid
///                                     for reading and writing. */
///     PNFS_BLOCK_READ_DATA       = 1, /* the data located by this
///                                     extent is valid for reading
///                                     only; it may not be
///                                     written. */
///     PNFS_BLOCK_INVALID_DATA     = 2, /* the location is valid; the
///                                     data is invalid. It is a
///                                     newly (pre-) allocated
///                                     extent. There is physical
///                                     space on the volume. */
///     PNFS_BLOCK_NONE_DATA        = 3  /* the location is invalid.
///                                     It is a hole in the file.
///                                     There is no physical space
///                                     on the volume. */
/// };

///
/// struct pnfs_block_extent4 {
///     deviceid4    bex_vol_id;        /* id of logical volume on
///                                     which extent of file is
///                                     stored. */
///     offset4      bex_file_offset;   /* the starting byte offset in
///                                     the file */
///     length4      bex_length;        /* the size in bytes of the
///                                     extent */
///     offset4      bex_storage_offset; /* the starting byte offset
///                                     in the volume */
///     pnfs_block_extent_state4 bex_state;
///                                     /* the state of this extent */
/// };
///
/// /* block layout specific type for loc_body */
/// struct pnfs_block_layout4 {
///     pnfs_block_extent4 blo_extents<>;
///                                     /* extents which make up this
///                                     layout. */
/// };
///

```

The block layout consists of a list of extents that map the logical regions of the file to physical locations on a volume. The "bex\_storage\_offset" field within each extent identifies a location on the logical volume specified by the "bex\_vol\_id" field in the extent. The bex\_vol\_id itself is shorthand for the whole topology of

the logical volume on which the file is stored. The client is responsible for translating this logical offset into an offset on the appropriate underlying SAN logical unit. In most cases, all extents in a layout will reside on the same volume and thus have the same `bex_vol_id`. In the case of copy-on-write file systems, the `PNFS_BLOCK_READ_DATA` extents may have a different `bex_vol_id` from the writable extents.

Each extent maps a logical region of the file onto a portion of the specified logical volume. The `bex_file_offset`, `bex_length`, and `bex_state` fields for an extent returned from the server are valid for all extents. In contrast, the interpretation of the `bex_storage_offset` field depends on the value of `bex_state` as follows (in increasing order):

- o `PNFS_BLOCK_READ_WRITE_DATA` means that `bex_storage_offset` is valid, and points to valid/initialized data that can be read and written.
- o `PNFS_BLOCK_READ_DATA` means that `bex_storage_offset` is valid and points to valid/ initialized data that can only be read. Write operations are prohibited; the client may need to request a read-write layout.
- o `PNFS_BLOCK_INVALID_DATA` means that `bex_storage_offset` is valid, but points to invalid un-initialized data. This data must not be physically read from the disk until it has been initialized. A read request for a `PNFS_BLOCK_INVALID_DATA` extent must fill the user buffer with zeros, unless the extent is covered by a `PNFS_BLOCK_READ_DATA` extent of a copy-on-write file system. Write requests must write whole server-sized blocks to the disk; bytes not initialized by the user must be set to zero. Any write to storage in a `PNFS_BLOCK_INVALID_DATA` extent changes the written portion of the extent to `PNFS_BLOCK_READ_WRITE_DATA`; the pNFS client is responsible for reporting this change via `LAYOUTCOMMIT`.
- o `PNFS_BLOCK_NONE_DATA` means that `bex_storage_offset` is not valid, and this extent may not be used to satisfy write requests. Read requests may be satisfied by zero-filling as for `PNFS_BLOCK_INVALID_DATA`. `PNFS_BLOCK_NONE_DATA` extents may be returned by requests for readable extents; they are never returned if the request was for a writable extent.

An extent list contains all relevant extents in increasing order of the `bex_file_offset` of each extent; any ties are broken by increasing order of the extent state (`bex_state`).

### 2.3.1. Layout Requests and Extent Lists

Each request for a layout specifies at least three parameters: file offset, desired size, and minimum size. If the status of a request indicates success, the extent list returned must meet the following criteria:

- o A request for a readable (but not writable) layout returns only `PNFS_BLOCK_READ_DATA` or `PNFS_BLOCK_NONE_DATA` extents (but not `PNFS_BLOCK_INVALID_DATA` or `PNFS_BLOCK_READ_WRITE_DATA` extents).
- o A request for a writable layout returns `PNFS_BLOCK_READ_WRITE_DATA` or `PNFS_BLOCK_INVALID_DATA` extents (but not `PNFS_BLOCK_NONE_DATA` extents). It may also return `PNFS_BLOCK_READ_DATA` extents only when the offset ranges in those extents are also covered by `PNFS_BLOCK_INVALID_DATA` extents to permit writes.
- o The first extent in the list **MUST** contain the requested starting offset.
- o The total size of extents within the requested range **MUST** cover at least the minimum size. One exception is allowed: the total size **MAY** be smaller if only readable extents were requested and EOF is encountered.
- o Extents in the extent list **MUST** be logically contiguous for a read-only layout. For a read-write layout, the set of writable extents (i.e., excluding `PNFS_BLOCK_READ_DATA` extents) **MUST** be logically contiguous. Every `PNFS_BLOCK_READ_DATA` extent in a read-write layout **MUST** be covered by one or more `PNFS_BLOCK_INVALID_DATA` extents. This overlap of `PNFS_BLOCK_READ_DATA` and `PNFS_BLOCK_INVALID_DATA` extents is the only permitted extent overlap.
- o Extents **MUST** be ordered in the list by starting offset, with `PNFS_BLOCK_READ_DATA` extents preceding `PNFS_BLOCK_INVALID_DATA` extents in the case of equal `bex_file_offsets`.

If the minimum requested size, `loga_minlength`, is zero, this is an indication to the metadata server that the client desires any layout at offset `loga_offset` or less that the metadata server has "readily available". Readily is subjective, and depends on the layout type and the pNFS server implementation. For block layout servers, readily available **SHOULD** be interpreted such that readable layouts are always available, even if some extents are in the `PNFS_BLOCK_NONE_DATA` state. When processing requests for writable layouts, a layout is readily available if extents can be returned in the `PNFS_BLOCK_READ_WRITE_DATA` state.

### 2.3.2. Layout Commits

```

/// /* block layout specific type for lou_body */
/// struct pnfs_block_layoutupdate4 {
///     pnfs_block_extent4 blu_commit_list<>;
///     /* list of extents which
///      * now contain valid data.
///      */
/// };
///

```

The "pnfs\_block\_layoutupdate4" structure is used by the client as the block-protocol specific argument in a LAYOUTCOMMIT operation. The "blu\_commit\_list" field is an extent list covering regions of the file layout that were previously in the PNFS\_BLOCK\_INVALID\_DATA state, but have been written by the client and should now be considered in the PNFS\_BLOCK\_READ\_WRITE\_DATA state. The bex\_state field of each extent in the blu\_commit\_list MUST be set to PNFS\_BLOCK\_READ\_WRITE\_DATA. The extents in the commit list MUST be disjoint and MUST be sorted by bex\_file\_offset. The bex\_storage\_offset field is unused. Implementors should be aware that a server may be unable to commit regions at a granularity smaller than a file-system block (typically 4 KB or 8 KB). As noted above, the block-size that the server uses is available as an NFSv4 attribute, and any extents included in the "blu\_commit\_list" MUST be aligned to this granularity and have a size that is a multiple of this granularity. If the client believes that its actions have moved the end-of-file into the middle of a block being committed, the client MUST write zeroes from the end-of-file to the end of that block before committing the block. Failure to do so may result in junk (un-initialized data) appearing in that area if the file is subsequently extended by moving the end-of-file.

### 2.3.3. Layout Returns

The LAYOUTRETURN operation is done without any block layout specific data. When the LAYOUTRETURN operation specifies a LAYOUTRETURN4\_FILE\_return type, then the layoutreturn\_file4 data structure specifies the region of the file layout that is no longer needed by the client. The opaque "lrf\_body" field of the "layoutreturn\_file4" data structure MUST have length zero. A LAYOUTRETURN operation represents an explicit release of resources by the client, usually done for the purpose of avoiding unnecessary CB\_LAYOUTRECALL operations in the future. The client may return disjoint regions of the file by using multiple LAYOUTRETURN operations within a single COMPOUND operation.



Note that the block/volume layout supports unilateral layout revocation. When a layout is unilaterally revoked by the server, usually due to the client's lease time expiring, or a delegation being recalled, or the client failing to return a layout in a timely manner, it is important for the sake of correctness that any in-flight I/Os that the client issued before the layout was revoked are rejected at the storage. For the block/volume protocol, this is possible by fencing a client with an expired layout timer from the physical storage. Note, however, that the granularity of this operation can only be at the host/logical-unit level. Thus, if one of a client's layouts is unilaterally revoked by the server, it will effectively render useless *all* of the client's layouts for files located on the storage units comprising the logical volume. This may render useless the client's layouts for files in other file systems.

#### 2.3.4. Client Copy-on-Write Processing

Copy-on-write is a mechanism used to support file and/or file system snapshots. When writing to unaligned regions, or to regions smaller than a file system block, the writer must copy the portions of the original file data to a new location on disk. This behavior can either be implemented on the client or the server. The paragraphs below describe how a pNFS block layout client implements access to a file that requires copy-on-write semantics.

Distinguishing the `PNFS_BLOCK_READ_WRITE_DATA` and `PNFS_BLOCK_READ_DATA` extent types in combination with the allowed overlap of `PNFS_BLOCK_READ_DATA` extents with `PNFS_BLOCK_INVALID_DATA` extents allows copy-on-write processing to be done by pNFS clients. In classic NFS, this operation would be done by the server. Since pNFS enables clients to do direct block access, it is useful for clients to participate in copy-on-write operations. All block/volume pNFS clients **MUST** support this copy-on-write processing.

When a client wishes to write data covered by a `PNFS_BLOCK_READ_DATA` extent, it **MUST** have requested a writable layout from the server; that layout will contain `PNFS_BLOCK_INVALID_DATA` extents to cover all the data ranges of that layout's `PNFS_BLOCK_READ_DATA` extents. More precisely, for any `bex_file_offset` range covered by one or more `PNFS_BLOCK_READ_DATA` extents in a writable layout, the server **MUST** include one or more `PNFS_BLOCK_INVALID_DATA` extents in the layout that cover the same `bex_file_offset` range. When performing a write to such an area of a layout, the client **MUST** effectively copy the data from the `PNFS_BLOCK_READ_DATA` extent for any partial blocks of `bex_file_offset` and range, merge in the changes to be written, and write the result to the `PNFS_BLOCK_INVALID_DATA` extent for the blocks for that `bex_file_offset` and range. That is, if entire blocks of data are to be overwritten by an operation, the corresponding

PNFS\_BLOCK\_READ\_DATA blocks need not be fetched, but any partial-block writes must be merged with data fetched via PNFS\_BLOCK\_READ\_DATA extents before storing the result via PNFS\_BLOCK\_INVALID\_DATA extents. For the purposes of this discussion, "entire blocks" and "partial blocks" refer to the server's file-system block size. Storing of data in a PNFS\_BLOCK\_INVALID\_DATA extent converts the written portion of the PNFS\_BLOCK\_INVALID\_DATA extent to a PNFS\_BLOCK\_READ\_WRITE\_DATA extent; all subsequent reads MUST be performed from this extent; the corresponding portion of the PNFS\_BLOCK\_READ\_DATA extent MUST NOT be used after storing data in a PNFS\_BLOCK\_INVALID\_DATA extent. If a client writes only a portion of an extent, the extent may be split at block aligned boundaries.

When a client wishes to write data to a PNFS\_BLOCK\_INVALID\_DATA extent that is not covered by a PNFS\_BLOCK\_READ\_DATA extent, it MUST treat this write identically to a write to a file not involved with copy-on-write semantics. Thus, data must be written in at least block-sized increments, aligned to multiples of block-sized offsets, and unwritten portions of blocks must be zero filled.

In the LAYOUTCOMMIT operation that normally sends updated layout information back to the server, for writable data, some PNFS\_BLOCK\_INVALID\_DATA extents may be committed as PNFS\_BLOCK\_READ\_WRITE\_DATA extents, signifying that the storage at the corresponding bex\_storage\_offset values has been stored into and is now to be considered as valid data to be read. PNFS\_BLOCK\_READ\_DATA extents are not committed to the server. For extents that the client receives via LAYOUTGET as PNFS\_BLOCK\_INVALID\_DATA and returns via LAYOUTCOMMIT as PNFS\_BLOCK\_READ\_WRITE\_DATA, the server will understand that the PNFS\_BLOCK\_READ\_DATA mapping for that extent is no longer valid or necessary for that file.

### 2.3.5. Extents are Permissions

Layout extents returned to pNFS clients grant permission to read or write; PNFS\_BLOCK\_READ\_DATA and PNFS\_BLOCK\_NONE\_DATA are read-only (PNFS\_BLOCK\_NONE\_DATA reads as zeroes), PNFS\_BLOCK\_READ\_WRITE\_DATA and PNFS\_BLOCK\_INVALID\_DATA are read/write, (PNFS\_BLOCK\_INVALID\_DATA reads as zeros, any write converts it to PNFS\_BLOCK\_READ\_WRITE\_DATA). This is the only means a client has of obtaining permission to perform direct I/O to storage devices; a pNFS client MUST NOT perform direct I/O operations that are not permitted by an extent held by the client. Client adherence to this rule places the pNFS server in control of potentially conflicting storage device operations, enabling the server to determine what does conflict and how to avoid conflicts by granting and recalling extents to/from clients.

Block/volume class storage devices are not required to perform read and write operations atomically. Overlapping concurrent read and write operations to the same data may cause the read to return a mixture of before-write and after-write data. Overlapping write operations can be worse, as the result could be a mixture of data from the two write operations; data corruption can occur if the underlying storage is striped and the operations complete in different orders on different stripes. When there are multiple clients who wish to access the same data, a pNFS server can avoid these conflicts by implementing a concurrency control policy of single writer XOR multiple readers. This policy **MUST** be implemented when storage devices do not provide atomicity for concurrent read/write and write/write operations to the same data.

If a client makes a layout request that conflicts with an existing layout delegation, the request will be rejected with the error `NFS4ERR_LAYOUTTRYLATER`. This client is then expected to retry the request after a short interval. During this interval, the server **SHOULD** recall the conflicting portion of the layout delegation from the client that currently holds it. This reject-and-retry approach does not prevent client starvation when there is contention for the layout of a particular file. For this reason, a pNFS server **SHOULD** implement a mechanism to prevent starvation. One possibility is that the server can maintain a queue of rejected layout requests. Each new layout request can be checked to see if it conflicts with a previous rejected request, and if so, the newer request can be rejected. Once the original requesting client retries its request, its entry in the rejected request queue can be cleared, or the entry in the rejected request queue can be removed when it reaches a certain age.

NFSv4 supports mandatory locks and share reservations. These are mechanisms that clients can use to restrict the set of I/O operations that are permissible to other clients. Since all I/O operations ultimately arrive at the NFSv4 server for processing, the server is in a position to enforce these restrictions. However, with pNFS layouts, I/Os will be issued from the clients that hold the layouts directly to the storage devices that host the data. These devices have no knowledge of files, mandatory locks, or share reservations, and are not in a position to enforce such restrictions. For this reason the NFSv4 server **MUST NOT** grant layouts that conflict with mandatory locks or share reservations. Further, if a conflicting mandatory lock request or a conflicting open request arrives at the server, the server **MUST** recall the part of the layout in conflict with the request before granting the request.

### 2.3.6. End-of-file Processing

The end-of-file location can be changed in two ways: implicitly as the result of a WRITE or LAYOUTCOMMIT beyond the current end-of-file, or explicitly as the result of a SETATTR request. Typically, when a file is truncated by an NFSv4 client via the SETATTR call, the server frees any disk blocks belonging to the file that are beyond the new end-of-file byte, and MUST write zeros to the portion of the new end-of-file block beyond the new end-of-file byte. These actions render any pNFS layouts that refer to the blocks that are freed or written semantically invalid. Therefore, the server MUST recall from clients the portions of any pNFS layouts that refer to blocks that will be freed or written by the server before processing the truncate request. These recalls may take time to complete; as explained in [NFSv4.1], if the server cannot respond to the client SETATTR request in a reasonable amount of time, it SHOULD reply to the client with the error NFS4ERR\_DELAY.

Blocks in the PNFS\_BLOCK\_INVALID\_DATA state that lie beyond the new end-of-file block present a special case. The server has reserved these blocks for use by a pNFS client with a writable layout for the file, but the client has yet to commit the blocks, and they are not yet a part of the file mapping on disk. The server MAY free these blocks while processing the SETATTR request. If so, the server MUST recall any layouts from pNFS clients that refer to the blocks before processing the truncate. If the server does not free the PNFS\_BLOCK\_INVALID\_DATA blocks while processing the SETATTR request, it need not recall layouts that refer only to the PNFS\_BLOCK\_INVALID\_DATA blocks.

When a file is extended implicitly by a WRITE or LAYOUTCOMMIT beyond the current end-of-file, or extended explicitly by a SETATTR request, the server need not recall any portions of any pNFS layouts.

### 2.3.7. Layout Hints

The SETATTR operation supports a layout hint attribute [NFSv4.1]. When the client sets a layout hint (data type layouthint4) with a layout type of LAYOUT4\_BLOCK\_VOLUME (the loh\_type field), the loh\_body field contains a value of data type pnfs\_block\_layouthint4.

```

/// /* block layout specific type for loh_body */
/// struct pnfs_block_layouthint4 {
///     uint64_t blh_maximum_io_time; /* maximum i/o time in seconds
///                                     */
/// };
///

```

The block layout client uses the layout hint data structure to communicate to the server the maximum time that it may take an I/O to execute on the client. Clients using block layouts MUST set the layout hint attribute before using LAYOUTGET operations.

#### 2.3.8. Client Fencing

The pNFS block protocol must handle situations in which a system failure, typically a network connectivity issue, requires the server to unilaterally revoke extents from one client in order to transfer the extents to another client. The pNFS server implementation MUST ensure that when resources are transferred to another client, they are not used by the client originally owning them, and this must be ensured against any possible combination of partitions and delays among all of the participants to the protocol (server, storage and client). Two approaches to guaranteeing this isolation are possible and are discussed below.

One implementation choice for fencing the block client from the block storage is the use of LUN masking or mapping at the storage systems or storage area network to disable access by the client to be isolated. This requires server access to a management interface for the storage system and authorization to perform LUN masking and management operations. For example, the Storage Management Initiative Specification (SMI-S) [SMIS] provides a means to discover and mask LUNs, including a means of associating clients with the necessary World Wide Names or Initiator names to be masked.

In the absence of support for LUN masking, the server has to rely on the clients to implement a timed-lease I/O fencing mechanism. Because clients do not know if the server is using LUN masking, in all cases, the client MUST implement timed-lease fencing. In timed-lease fencing, we define two time periods, the first, "lease\_time" is the length of a lease as defined by the server's lease\_time attribute (see [NFSv4.1]), and the second, "blh\_maximum\_io\_time" is the maximum time it can take for a client I/O to the storage system to either complete or fail; this value is often 30 seconds or 60 seconds, but may be longer in some environments. If the maximum client I/O time cannot be bounded, the client MUST use a value of all 1s as the blh\_maximum\_io\_time.

After a new client ID is established, the client MUST use SETATTR with a layout hint of type LAYOUT4\_BLOCK\_VOLUME to inform the server of its maximum I/O time prior to issuing the first LAYOUTGET operation. While the maximum I/O time hint is a per-file attribute, it is actually a per-client characteristic. Thus, the server MUST maintain the last maximum I/O time hint sent separately for each client. Each time the maximum I/O time changes, the server MUST

apply it to all files for which the client has a layout. If the client does not specify this attribute on a file for which a block layout is requested, the server SHOULD use the most recent value provided by the same client for any file; if that client has not provided a value for this attribute, the server SHOULD reject the layout request with the error NFS4ERR\_LAYOUTUNAVAILABLE. The client SHOULD NOT send a SETATTR of the layout hint with every LAYOUTGET. A server that implements fencing via LUN masking SHOULD accept any maximum I/O time value from a client. A server that does not implement fencing may return an error NFS4ERR\_INVAL to the SETATTR operation. Such a server SHOULD return NFS4ERR\_INVAL when a client sends an unbounded maximum I/O time (all 1s), or when the maximum I/O time is significantly greater than that of other clients using block layouts with pNFS.

When a client receives the error NFS4ERR\_INVAL in response to the SETATTR operation for a layout hint, the client MUST NOT use the LAYOUTGET operation. After responding with NFS4ERR\_INVAL to the SETATTR for layout hint, the server MUST return the error NFS4ERR\_LAYOUTUNAVAILABLE to all subsequent LAYOUTGET operations from that client. Thus, the server, by returning either NFS4ERR\_INVAL or NFS4\_OK determines whether or not a client with a large, or an unbounded-maximum I/O time may use pNFS.

Using the lease time and the maximum I/O time values, we specify the behavior of the client and server as follows.

When a client receives layout information via a LAYOUTGET operation, those layouts are valid for at most "lease\_time" seconds from when the server granted them. A layout is renewed by any successful SEQUENCE operation, or whenever a new stateid is created or updated (see the section "Lease Renewal" of [NFSv4.1]). If the layout lease is not renewed prior to expiration, the client MUST cease to use the layout after "lease\_time" seconds from when it either sent the original LAYOUTGET command or sent the last operation renewing the lease. In other words, the client may not issue any I/O to blocks specified by an expired layout. In the presence of large communication delays between the client and server, it is even possible for the lease to expire prior to the server response arriving at the client. In such a situation, the client MUST NOT use the expired layouts, and SHOULD revert to using standard NFSv4.1 READ and WRITE operations. Furthermore, the client must be configured such that I/O operations complete within the "blh\_maximum\_io\_time" even in the presence of multipath drivers that will retry I/Os via multiple paths.

As stated in the "Dealing with Lease Expiration on the Client" section of [NFSv4.1], if any SEQUENCE operation is successful, but `sr_status_flag` has `SEQ4_STATUS_EXPIRED_ALL_STATE_REVOKED`, `SEQ4_STATUS_EXPIRED_SOME_STATE_REVOKED`, or `SEQ4_STATUS_ADMIN_STATE_REVOKED` is set, the client MUST immediately cease to use all layouts and device ID to device address mappings associated with the corresponding server.

In the absence of known two-way communication between the client and the server on the fore channel, the server must wait for at least the time period `"lease_time"` plus `"blh_maximum_io_time"` before transferring layouts from the original client to any other client. The server, like the client, must take a conservative approach, and start the lease expiration timer from the time that it received the operation that last renewed the lease.

#### 2.4. Crash Recovery Issues

A critical requirement in crash recovery is that both the client and the server know when the other has failed. Additionally, it is required that a client sees a consistent view of data across server restarts. These requirements and a full discussion of crash recovery issues are covered in the "Crash Recovery" section of the NFSv4.1 specification [NFSv4.1]. This document contains additional crash recovery material specific only to the block/volume layout.

When the server crashes while the client holds a writable layout, and the client has written data to blocks covered by the layout, and the blocks are still in the `PNFS_BLOCK_INVALID_DATA` state, the client has two options for recovery. If the data that has been written to these blocks is still cached by the client, the client can simply re-write the data via NFSv4, once the server has come back online. However, if the data is no longer in the client's cache, the client MUST NOT attempt to source the data from the data servers. Instead, it should attempt to commit the blocks in question to the server during the server's recovery grace period, by sending a `LAYOUTCOMMIT` with the `"loca_reclaim"` flag set to true. This process is described in detail in Section 18.42.4 of [NFSv4.1].

#### 2.5. Recalling Resources: `CB_RECALL_ANY`

The server may decide that it cannot hold all of the state for layouts without running out of resources. In such a case, it is free to recall individual layouts using `CB_LAYOUTRECALL` to reduce the load, or it may choose to request that the client return any layout.

The NFSv4.1 spec [NFSv4.1] defines the following types:

```
const RCA4_TYPE_MASK_BLK_LAYOUT = 4;

struct CB_RECALL_ANY4args {
    uint32_t      craa_objects_to_keep;
    bitmap4      craa_type_mask;
};
```

When the server sends a CB\_RECALL\_ANY request to a client specifying the RCA4\_TYPE\_MASK\_BLK\_LAYOUT bit in `craa_type_mask`, the client should immediately respond with NFS4\_OK, and then asynchronously return complete file layouts until the number of files with layouts cached on the client is less than `craa_object_to_keep`.

## 2.6. Transient and Permanent Errors

The server may respond to LAYOUTGET with a variety of error statuses. These errors can convey transient conditions or more permanent conditions that are unlikely to be resolved soon.

The transient errors, NFS4ERR\_RECALLCONFLICT and NFS4ERR\_TRYLATER, are used to indicate that the server cannot immediately grant the layout to the client. In the former case, this is because the server has recently issued a CB\_LAYOUTRECALL to the requesting client, whereas in the case of NFS4ERR\_TRYLATER, the server cannot grant the request possibly due to sharing conflicts with other clients. In either case, a reasonable approach for the client is to wait several milliseconds and retry the request. The client SHOULD track the number of retries, and if forward progress is not made, the client SHOULD send the READ or WRITE operation directly to the server.

The error NFS4ERR\_LAYOUTUNAVAILABLE may be returned by the server if layouts are not supported for the requested file or its containing file system. The server may also return this error code if the server is the progress of migrating the file from secondary storage, or for any other reason that causes the server to be unable to supply the layout. As a result of receiving NFS4ERR\_LAYOUTUNAVAILABLE, the client SHOULD send future READ and WRITE requests directly to the server. It is expected that a client will not cache the file's layoutunavailable state forever, particular if the file is closed, and thus eventually, the client MAY reissue a LAYOUTGET operation.

## 3. Security Considerations

Typically, SAN disk arrays and SAN protocols provide access control mechanisms (e.g., LUN mapping and/or masking) that operate at the granularity of individual hosts. The functionality provided by such



mechanisms makes it possible for the server to "fence" individual client machines from certain physical disks -- that is to say, to prevent individual client machines from reading or writing to certain physical disks. Finer-grained access control methods are not generally available. For this reason, certain security responsibilities are delegated to pNFS clients for block/volume layouts. Block/volume storage systems generally control access at a volume granularity, and hence pNFS clients have to be trusted to only perform accesses allowed by the layout extents they currently hold (e.g., and not access storage for files on which a layout extent is not held). In general, the server will not be able to prevent a client that holds a layout for a file from accessing parts of the physical disk not covered by the layout. Similarly, the server will not be able to prevent a client from accessing blocks covered by a layout that it has already returned. This block-based level of protection must be provided by the client software.

An alternative method of block/volume protocol use is for the storage devices to export virtualized block addresses, which do reflect the files to which blocks belong. These virtual block addresses are exported to pNFS clients via layouts. This allows the storage device to make appropriate access checks, while mapping virtual block addresses to physical block addresses. In environments where the security requirements are such that client-side protection from access to storage outside of the authorized layout extents is not sufficient, pNFS block/volume storage layouts SHOULD NOT be used unless the storage device is able to implement the appropriate access checks, via use of virtualized block addresses or other means. In contrast, an environment where client-side protection may suffice consists of co-located clients, server and storage systems in a data center with a physically isolated SAN under control of a single system administrator or small group of system administrators.

This also has implications for some NFSv4 functionality outside pNFS. For instance, if a file is covered by a mandatory read-only lock, the server can ensure that only readable layouts for the file are granted to pNFS clients. However, it is up to each pNFS client to ensure that the readable layout is used only to service read requests, and not to allow writes to the existing parts of the file. Similarly, block/volume storage devices are unable to validate NFS Access Control Lists (ACLs) and file open modes, so the client must enforce the policies before sending a READ or WRITE request to the storage device. Since block/volume storage systems are generally not capable of enforcing such file-based security, in environments where pNFS clients cannot be trusted to enforce such policies, pNFS block/volume storage layouts SHOULD NOT be used.

Access to block/volume storage is logically at a lower layer of the I/O stack than NFSv4, and hence NFSv4 security is not directly applicable to protocols that access such storage directly. Depending on the protocol, some of the security mechanisms provided by NFSv4 (e.g., encryption, cryptographic integrity) may not be available or may be provided via different means. At one extreme, pNFS with block/volume storage can be used with storage access protocols (e.g., parallel SCSI) that provide essentially no security functionality. At the other extreme, pNFS may be used with storage protocols such as iSCSI that can provide significant security functionality. It is the responsibility of those administering and deploying pNFS with a block/volume storage access protocol to ensure that appropriate protection is provided to that protocol (physical security is a common means for protocols not based on IP). In environments where the security requirements for the storage protocol cannot be met, pNFS block/volume storage layouts SHOULD NOT be used.

When security is available for a storage protocol, it is generally at a different granularity and with a different notion of identity than NFSv4 (e.g., NFSv4 controls user access to files, iSCSI controls initiator access to volumes). The responsibility for enforcing appropriate correspondences between these security layers is placed upon the pNFS client. As with the issues in the first paragraph of this section, in environments where the security requirements are such that client-side protection from access to storage outside of the layout is not sufficient, pNFS block/volume storage layouts SHOULD NOT be used.

#### 4. Conclusions

This document specifies the block/volume layout type for pNFS and associated functionality.

#### 5. IANA Considerations

There are no IANA considerations in this document. All pNFS IANA Considerations are covered in [NFSv4.1].

#### 6. Acknowledgments

This document draws extensively on the authors' familiarity with the mapping functionality and protocol in EMC's Multi-Path File System (MPFS) (previously named HighRoad) system [MPFS]. The protocol used by MPFS is called FMP (File Mapping Protocol); it is an add-on protocol that runs in parallel with file system protocols such as NFSv3 to provide pNFS-like functionality for block/volume storage. While drawing on FMP, the data structures and functional considerations in this document differ in significant ways, based on

lessons learned and the opportunity to take advantage of NFSv4 features such as COMPOUND operations. The design to support pNFS client participation in copy-on-write is based on text and ideas contributed by Craig Everhart.

Andy Adamson, Ben Campbell, Richard Chandler, Benny Halevy, Fredric Isaman, and Mario Wurzl all helped to review versions of this specification.

## 7. References

### 7.1. Normative References

- [LEGAL] IETF Trust, "Legal Provisions Relating to IETF Documents", <http://trustee.ietf.org/docs/IETF-Trust-License-Policy.pdf>, November 2008.
- [RFC2119] Bradner, S., "Key words for use in RFCs to Indicate Requirement Levels", BCP 14, RFC 2119, March 1997.
- [NFSv4.1] Shepler, S., Ed., Eisler, M., Ed., and D. Noveck, Ed., "Network File System (NFS) Version 4 Minor Version 1 Protocol", RFC 5661, January 2010.
- [XDR] Eisler, M., Ed., "XDR: External Data Representation Standard", STD 67, RFC 4506, May 2006.

### 7.2. Informative References

- [MPFS] EMC Corporation, "EMC Celerra Multi-Path File System (MPFS)", EMC Data Sheet, <http://www.emc.com/collateral/software/data-sheet/h2006-celerra-mpfs-mpfsi.pdf>.
- [SMIS] SNIA, "Storage Management Initiative Specification (SMI-S) v1.4", [http://www.snia.org/tech\\_activities/standards/curr\\_standards/smi/SMI-S\\_Technical\\_Position\\_v1.4.0r4.zip](http://www.snia.org/tech_activities/standards/curr_standards/smi/SMI-S_Technical_Position_v1.4.0r4.zip).

## Authors' Addresses

David L. Black  
EMC Corporation  
176 South Street  
Hopkinton, MA 01748

Phone: +1 (508) 293-7953  
EMail: black\_david@emc.com

Stephen Fridella  
Nasuni Inc  
313 Speen St  
Natick MA 01760

EMail: stevef@nasuni.com

Jason Glasgow  
Google  
5 Cambridge Center  
Cambridge, MA 02142

Phone: +1 (617) 575 1599  
EMail: jglasgow@aya.yale.edu